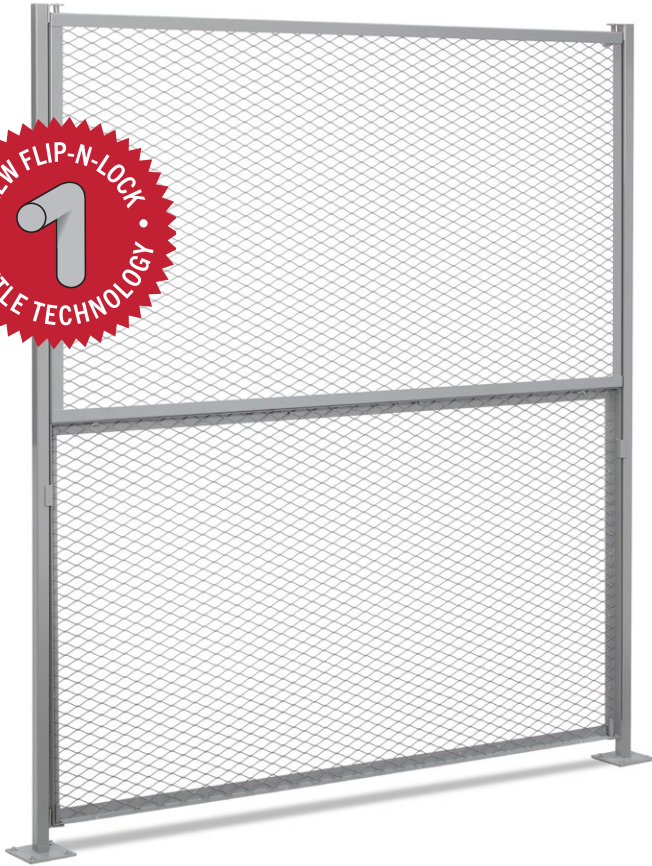
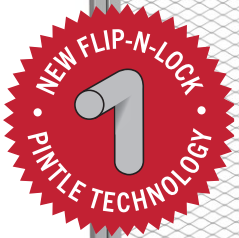


OverEZ Mesh Partitions



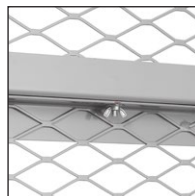
- Secure areas and divide spaces
- Expanded metal allows light and ventilation
- 8' x 8' Starter Kit: 2 posts and 2 Panels
- EZ assembly – no bolts, no tools
- Ship within 4-7 business days
- Custom powder coated colors available
- 100% made in America



Little-Pintle™



Flip-N-Lock™
Pintle Technology



Secures with only
4 wing nuts

OverEZ™ Mesh Partitions

Ideal for warehouses, factories, robotic work areas and databases—OverEZ Mesh Partitions help protect critical spaces, secure inventory and divide work zones efficiently. The innovative Flip-N-Lock™ system allows for quick assembly, so you can create secure enclosures and organized workspaces in no time.

Specifications

Finish: Grey Powder Coated

Mesh: 1-1/2" 16-gauge Diamond Expanded Metal

Frame: 1-1/2" x 1-1/2" 13-gauge Angle Iron

Horizontal Reinforcing: 1-1/2" x 1-1/2" 13-gauge Angle Iron

Post: 1-1/2" x 1-1/2" 14-gauge Tube

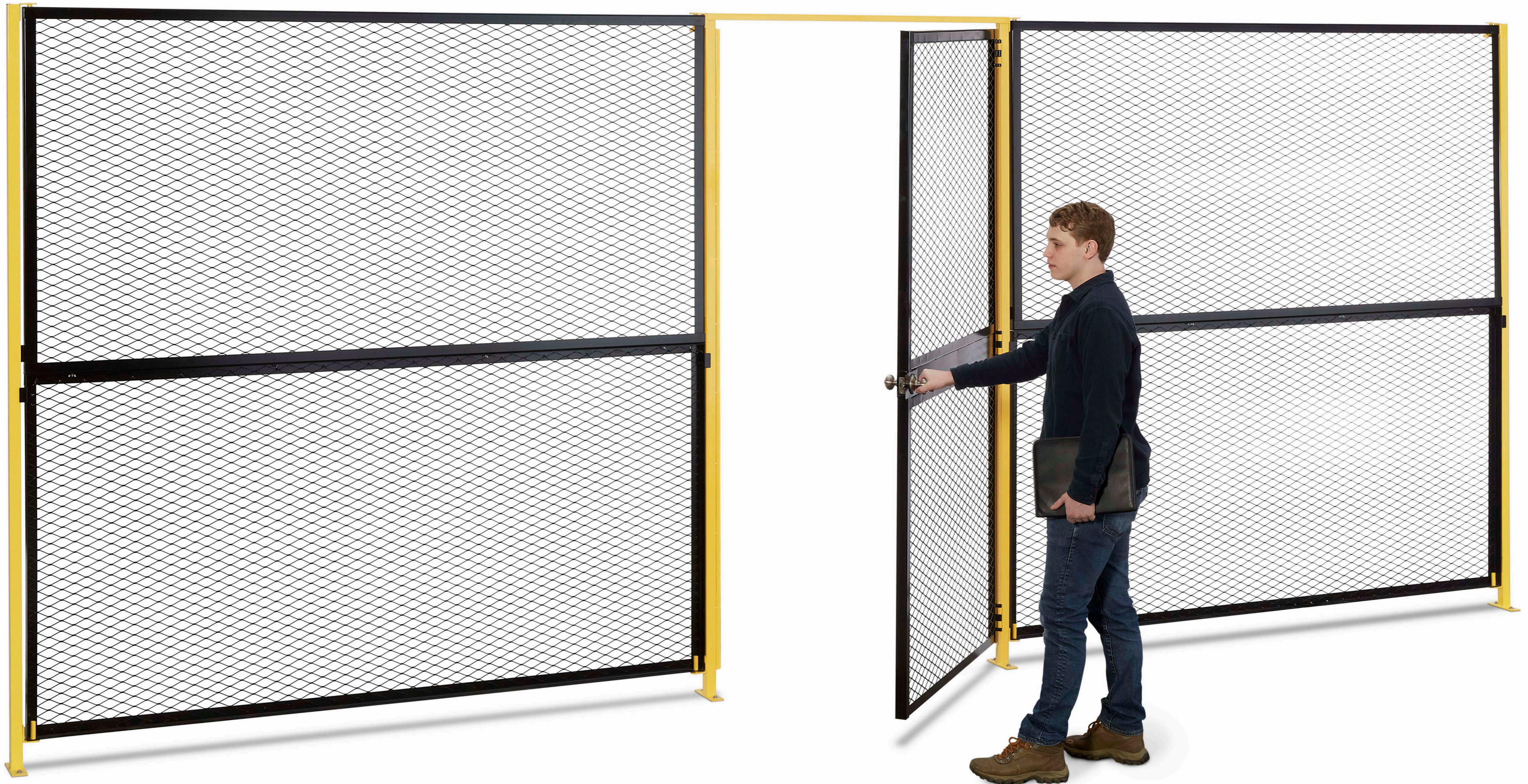
Pin: 5/8"

Markets

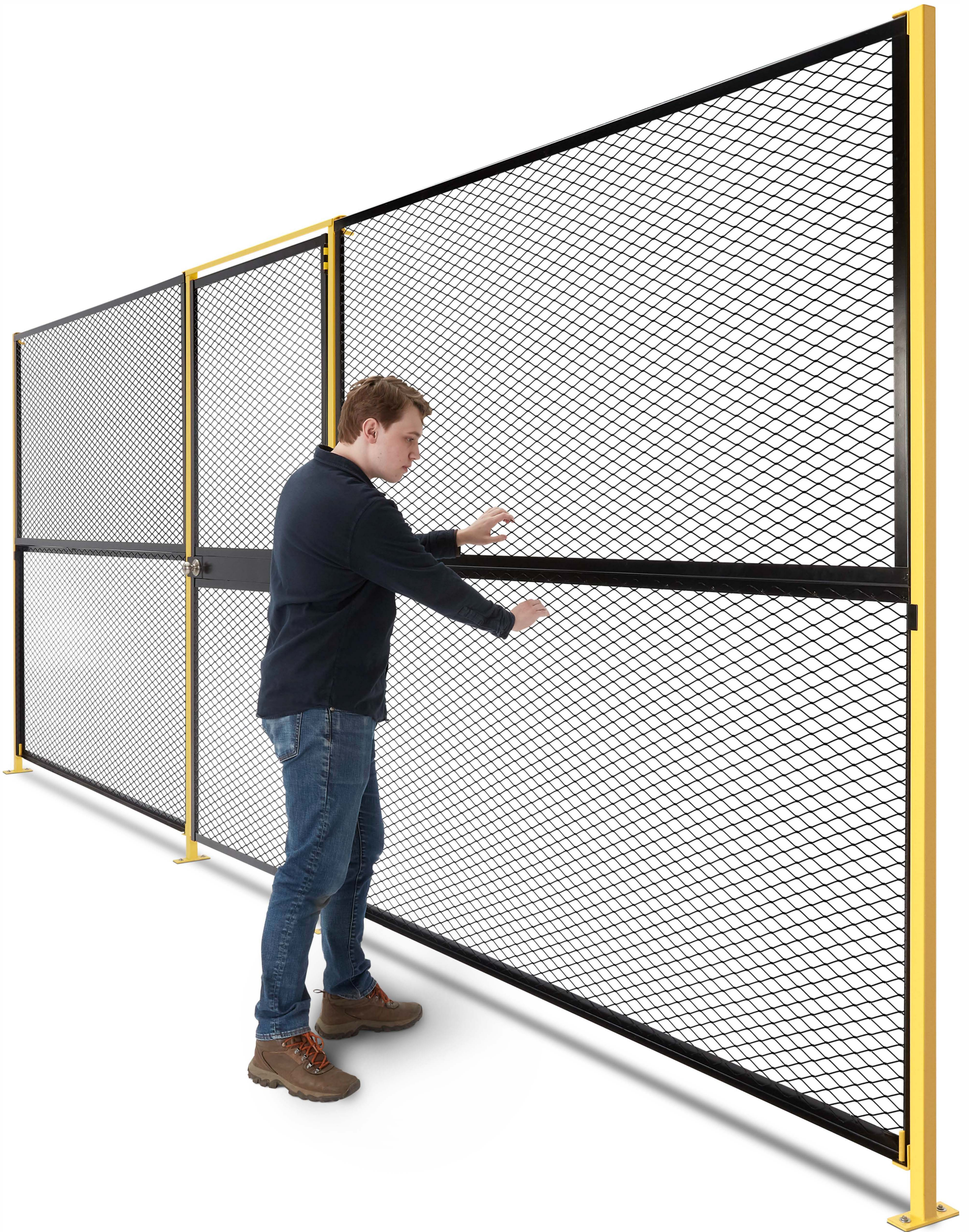
- Manufacturing & Industrial Automation
- Automotive, Shipyards & Aerospace
- Construction & Infrastructure
- Energy & Utilities
- Oil, Gas & Chemical Processing
- Logistics & Warehousing
- Data Centers & Technology
- Pharmaceutical & Laboratory Facilities

Product Code	Description	Width	Height	Weight (LBS)
OEZ-ST8	Starter Kit (2 panel, 2 post)	8' W	8' H	84
OEZ-AD4	Add-ons (2 panel, 1 post)	4' W	8' H	36
OEZ-AD8	Add-ons (2 panel, 1 post)	8' W	8' H	72
OEZ-HD4	Hinged Door	4' W	8' H	72
OEZ-SD4	Sliding Door	4' W	8' H	85
OEZ-SD8	Double Sliding Door	8' W	8' H	144
OEZ-3WAY	3-way Post	1-1/2" W	8' H	12
OEZ-CRNR	Corner Post	1-1/2" W	8' H	12

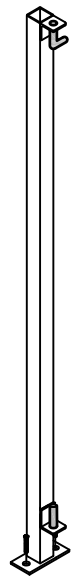




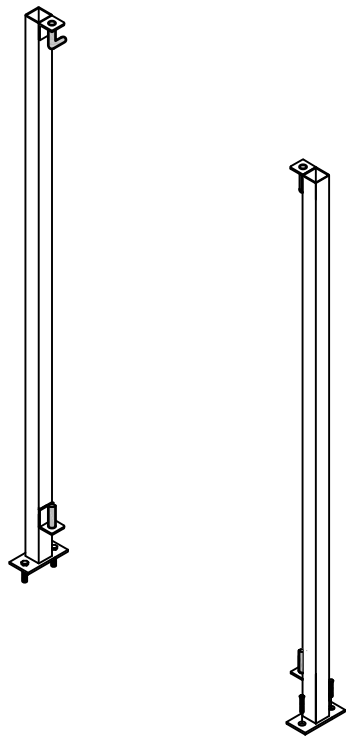




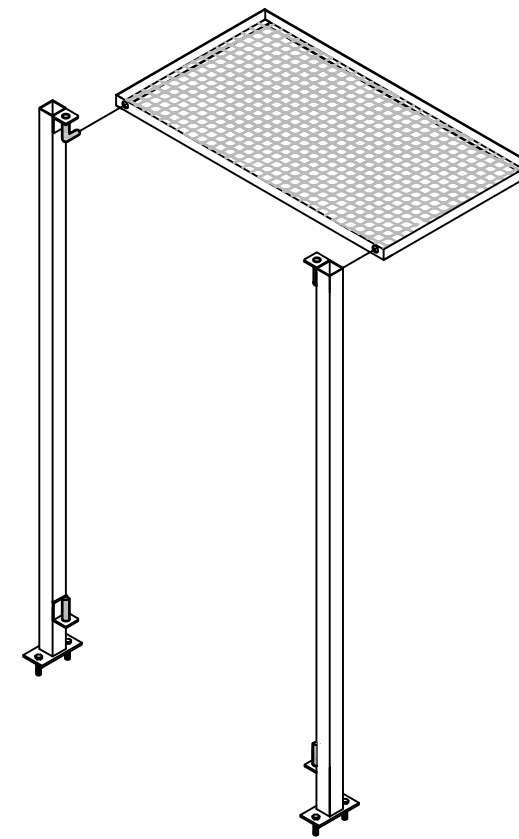




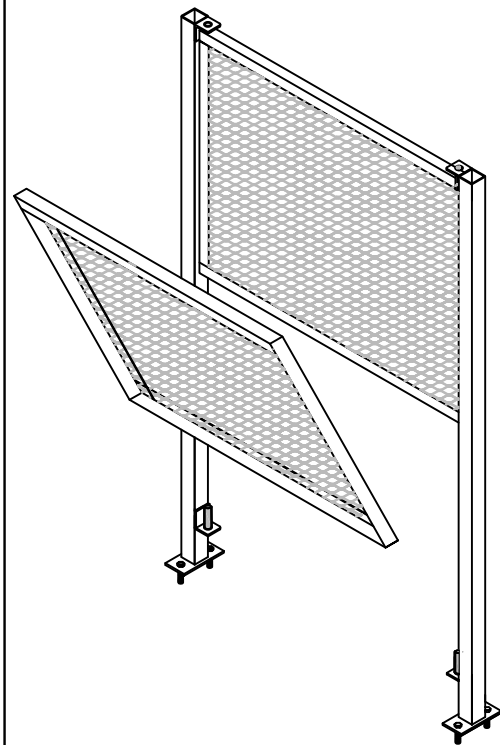
Step 1 - Install First Post
Secure the first post to the floor in the desired starting position.



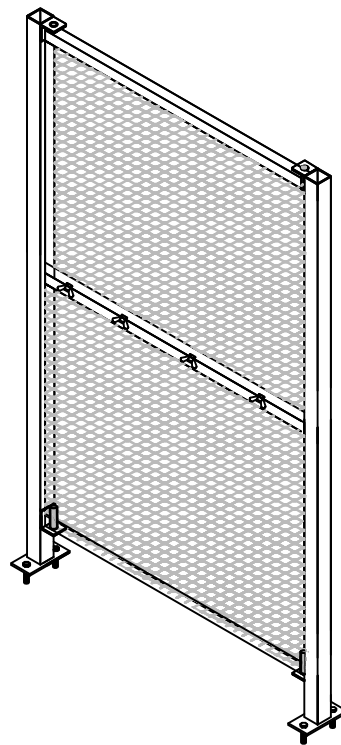
Step 2 - Position and Install Second Post
Use a panel as a spacer to properly position the second post. Once aligned, secure the second post to the floor.



Step 3 - Install Top Panel
Attach the top panel onto the pintle hooks, hinging it into place with the open side facing upward.



Step 4 - Install Bottom Panel
Place the bottom panel onto the pins, ensuring it is oriented opposite to the top panel. Lift the top panel vertically and set it securely on top of the bottom panel.



Step 5 - Secure Panels
Fasten the panels together using the appropriate hardware



Step 6 - Repeat Process
Repeat steps as needed for additional sections.

Dealer:	Approved By:
Contact:	Sign:
Phone:	Date:
Fax:	www.PreferredSecurityGates.com (800) 878-7829 Sales

INTERNAL WORKSHEET – WIRE MESH PARTITION QUOTE

Drawing Symbols:

Partition:  Post: 

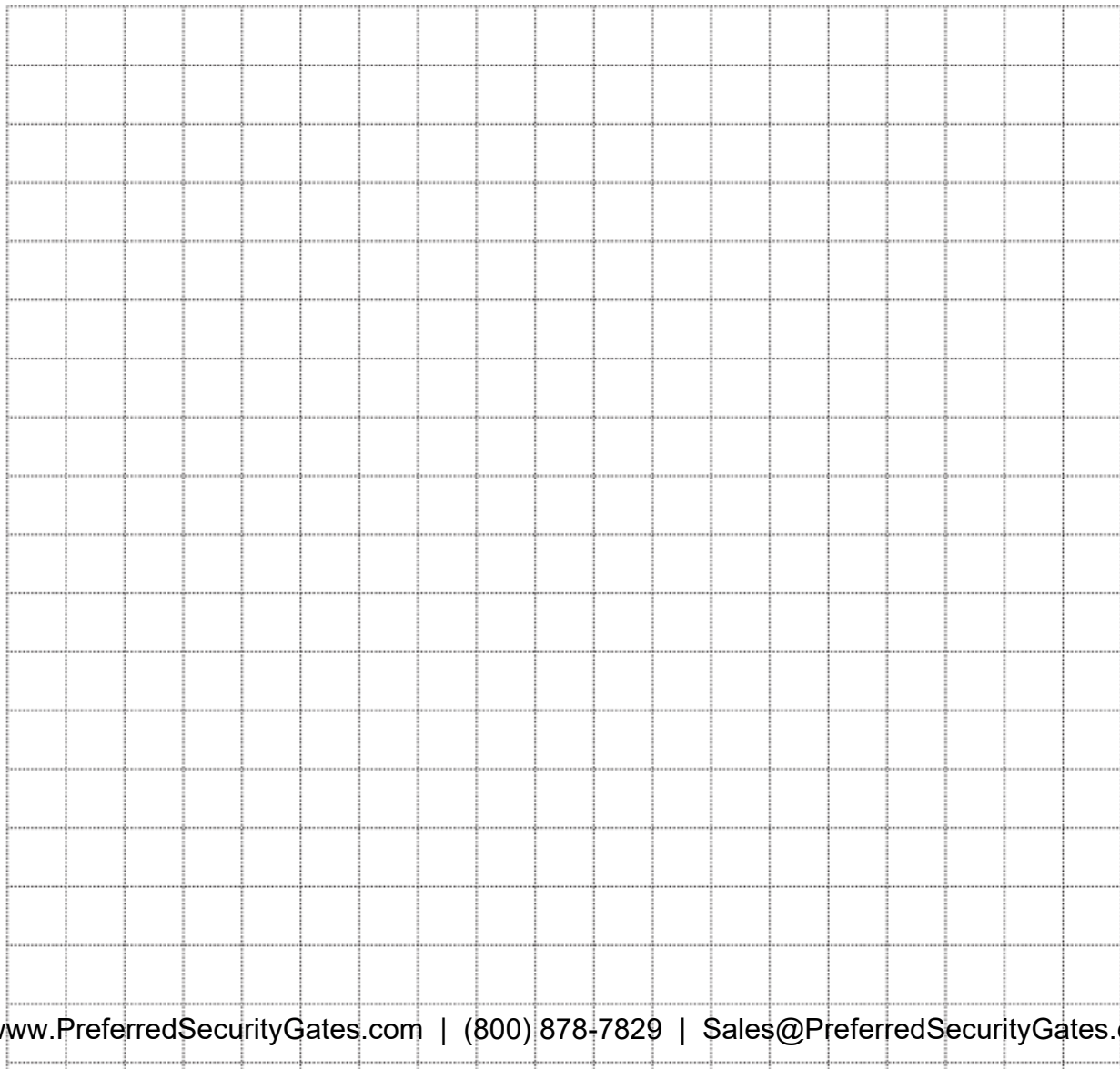
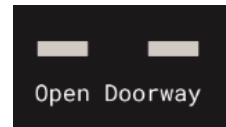
Hinged door



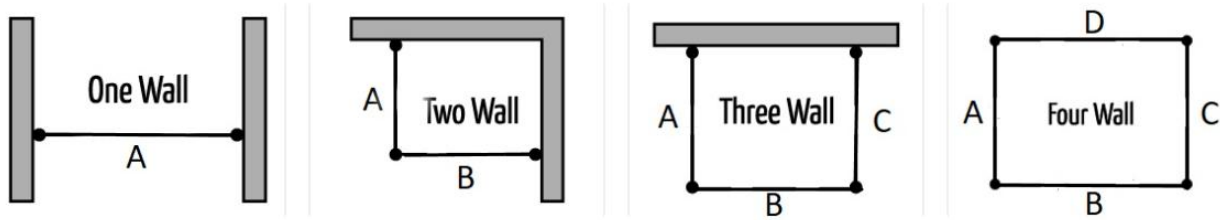
Slide Door



Opening



PLEASE CIRCLE ONE OPTION:



<p>WALL A</p> <p>STARTER (2 Panels, 2 Posts): <input type="checkbox"/> ST8 (8'-1") Qty: _____ <input type="checkbox"/> ST4 (4'-1") Qty: _____</p> <p>ADD-ON (2 Panels, 1 Post): AD1 _____ AD2 _____ AD3 _____ AD4 _____ AD5 _____ AD6 _____ AD7 _____ AD8 _____</p> <p>HINGED DOORS: HD3 _____ HD4 _____ HD8 (Double) _____</p> <p>SLIDING DOORS: SD3 _____ SD4 _____ SD6 _____ SD8 (Double) _____</p>	<p>WALL B</p> <p>STARTER (2 Panels, 2 Posts): <input type="checkbox"/> ST8 (8'-1") Qty: _____ <input type="checkbox"/> ST4 (4'-1") Qty: _____</p> <p>ADD-ON (2 Panels, 1 Post): AD1 _____ AD2 _____ AD3 _____ AD4 _____ AD5 _____ AD6 _____ AD7 _____ AD8 _____</p> <p>HINGED DOORS: HD3 _____ HD4 _____ HD8 (Double) _____</p> <p>SLIDING DOORS: SD3 _____ SD4 _____ SD6 _____ SD8 (Double) _____</p> <p>Corner Post: _____ 3-Way: _____</p>
<p>WALL C</p> <p>STARTER (2 Panels, 2 Posts): <input type="checkbox"/> ST8 (8'-1") Qty: _____ <input type="checkbox"/> ST4 (4'-1") Qty: _____</p> <p>ADD-ON (2 Panels, 1 Post): AD1 _____ AD2 _____ AD3 _____ AD4 _____ AD5 _____ AD6 _____ AD7 _____ AD8 _____</p> <p>HINGED DOORS: HD3 _____ HD4 _____ HD8 (Double) _____</p> <p>SLIDING DOORS: SD3 _____ SD4 _____ SD6 _____ SD8 (Double) _____</p> <p>Corner Post: _____ 3-Way: _____</p>	<p>WALL D</p> <p>STARTER (2 Panels, 2 Posts): <input type="checkbox"/> ST8 (8'-1") Qty: _____ <input type="checkbox"/> ST4 (4'-1") Qty: _____</p> <p>ADD-ON (2 Panels, 1 Post): AD1 _____ AD2 _____ AD3 _____ AD4 _____ AD5 _____ AD6 _____ AD7 _____ AD8 _____</p> <p>HINGED DOORS: HD3 _____ HD4 _____ HD8 (Double) _____</p> <p>SLIDING DOORS: SD3 _____ SD4 _____ SD6 _____ SD8 (Double) _____</p> <p>Corner Post: _____ 3-Way: _____</p>

8'-1" OUTSIDE TO OUTSIDE OF POSTS

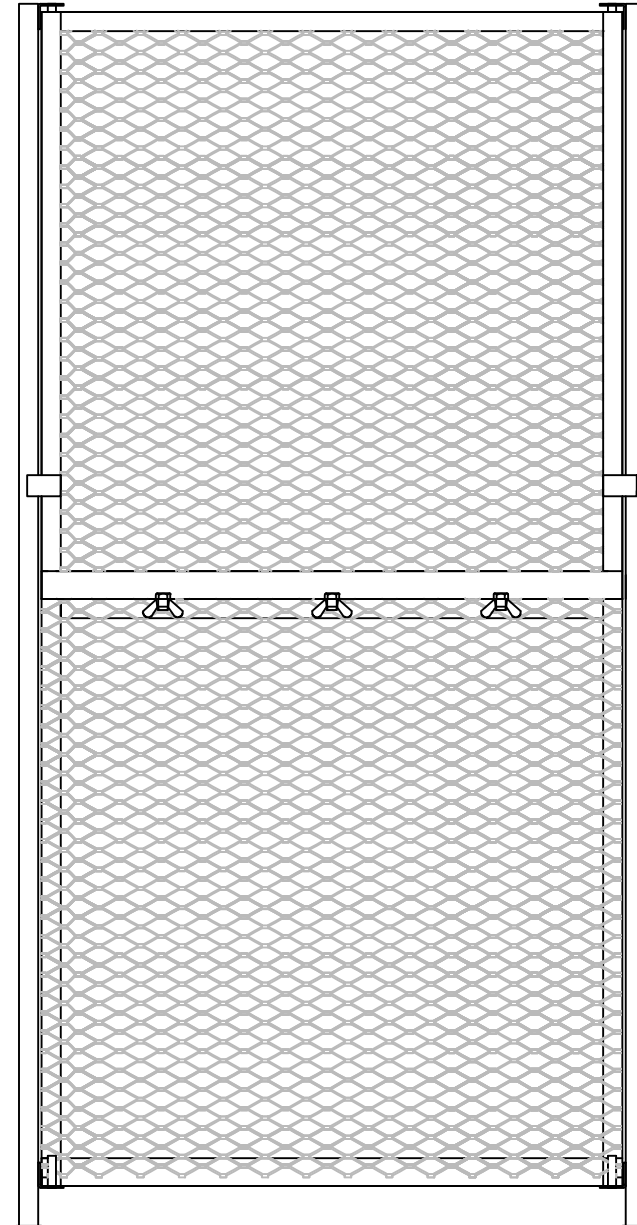
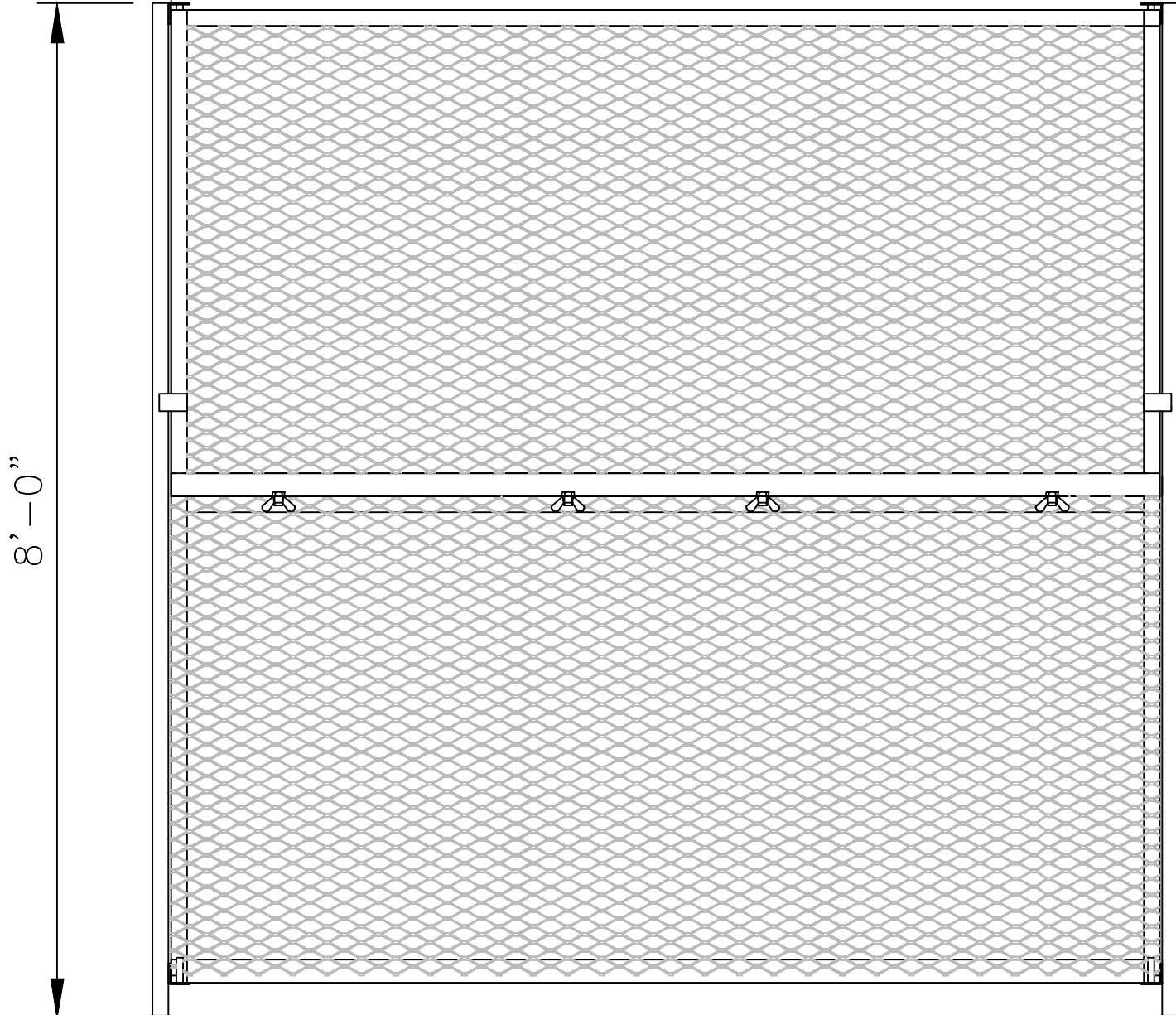
7'-11 1/2" CENTER TO CENTER OF POSTS

7'-9 1/2" PANEL

4'-1" OUTSIDE TO OUTSIDE OF POSTS

3'-11 1/2" CENTER TO CENTER OF POSTS

3'-9 1/2" PANEL



STARTERS:

OVEREZ PARTITION:

8' WIDE + 4' WIDE
INCLUDES TWO POST
TWO PANELS(STACKED)

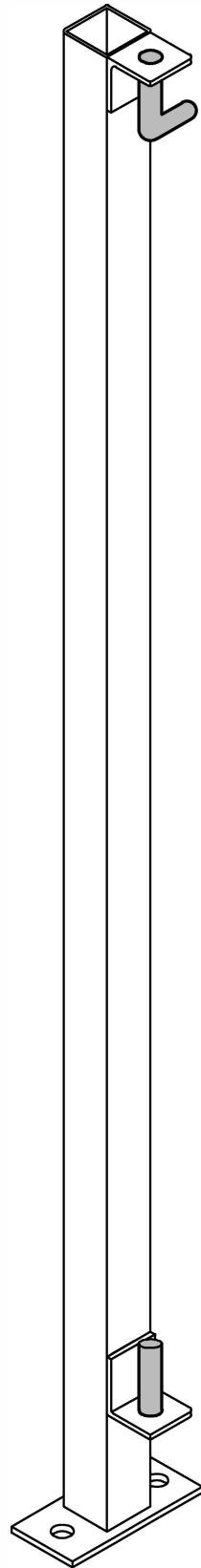
SPECIFICATIONS

OVEREZ PARTITION:

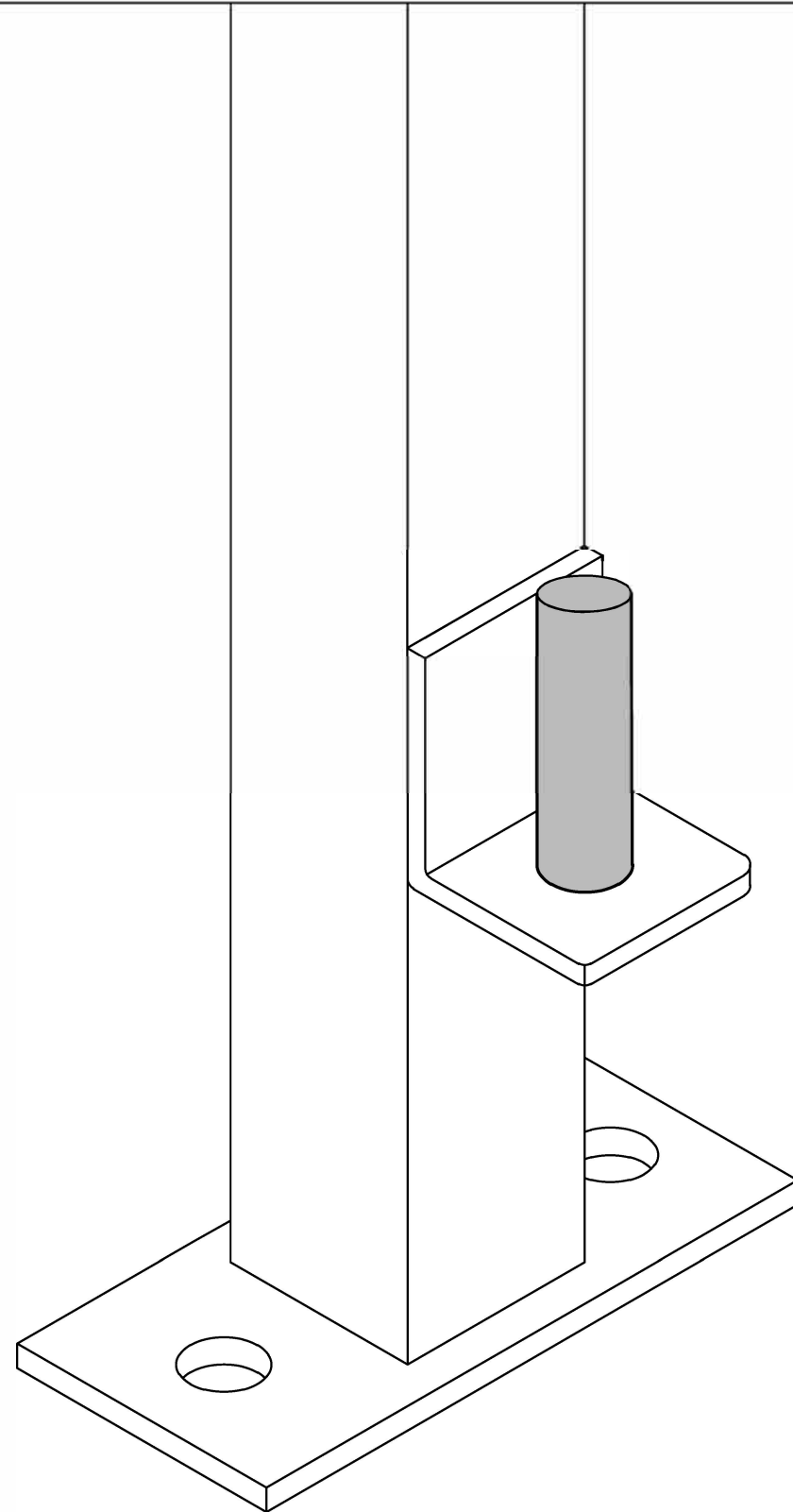
MESH: 1 1/2" X #16F EXPANDED METAL
FRAME: 1 1/2" X 1 1/2" 13 GA. C.R. ANGLE
HORIZONTAL REINFORCING: 1 1/2" X 1 1/2" 13 GA. C.R. ANGLE
POST: 1 1/2" X 1 1/2" 14 GA.
PIN: 5/8"

Dealer:	Approved By:
Contact:	Sign:
Phone:	Date:
Fax:	

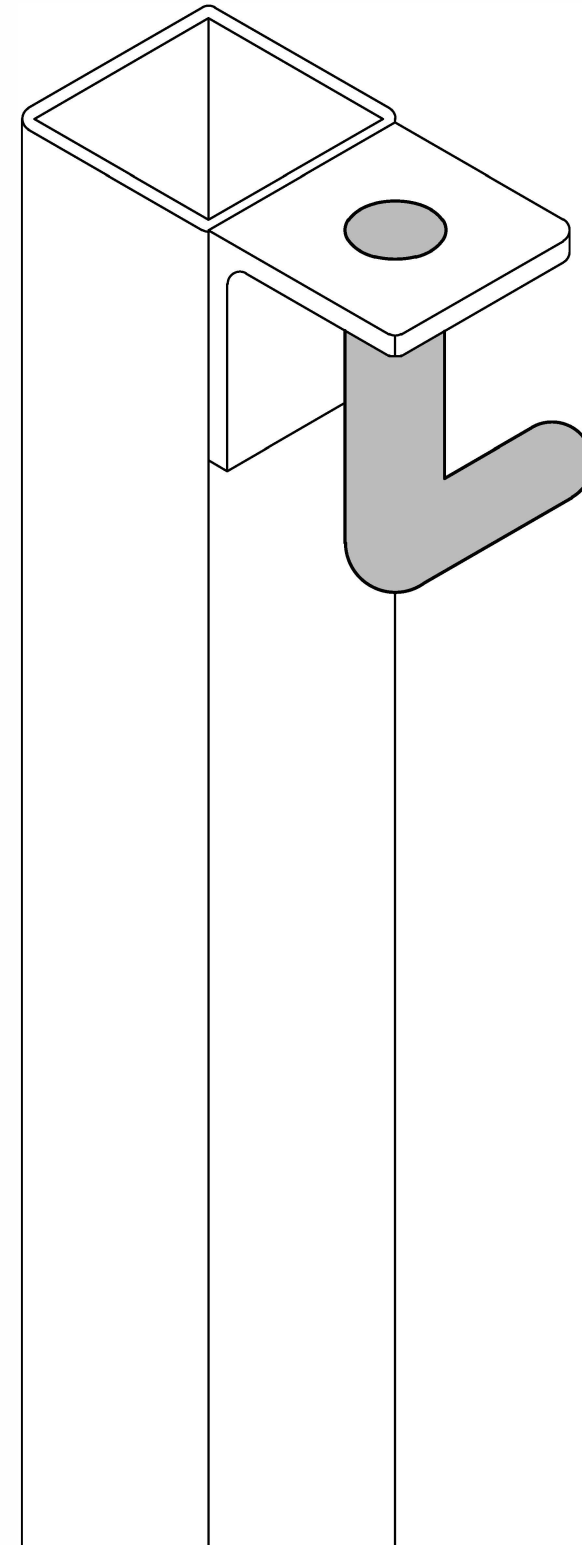
Approved By:	
Sign:	
Date:	
www.PreferredSecurityGates.com (800) 878-7829 Sale	



POST



BOTTOM PIN



TOP PIN

POST

OVEREZ PARTITION:

- INCLUDES $\frac{5}{8}$ " PIN
- BOTTOM PIN STRAIGHT
- TOP PIN HOOK/L SHAPE

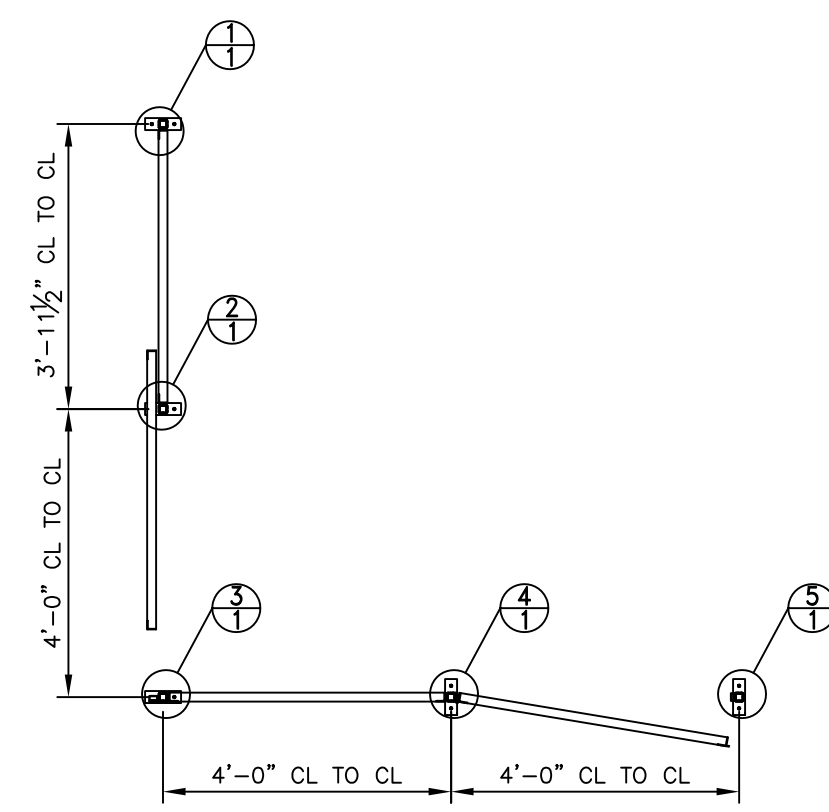
SPECIFICATIONS

OVEREZ PARTITION:

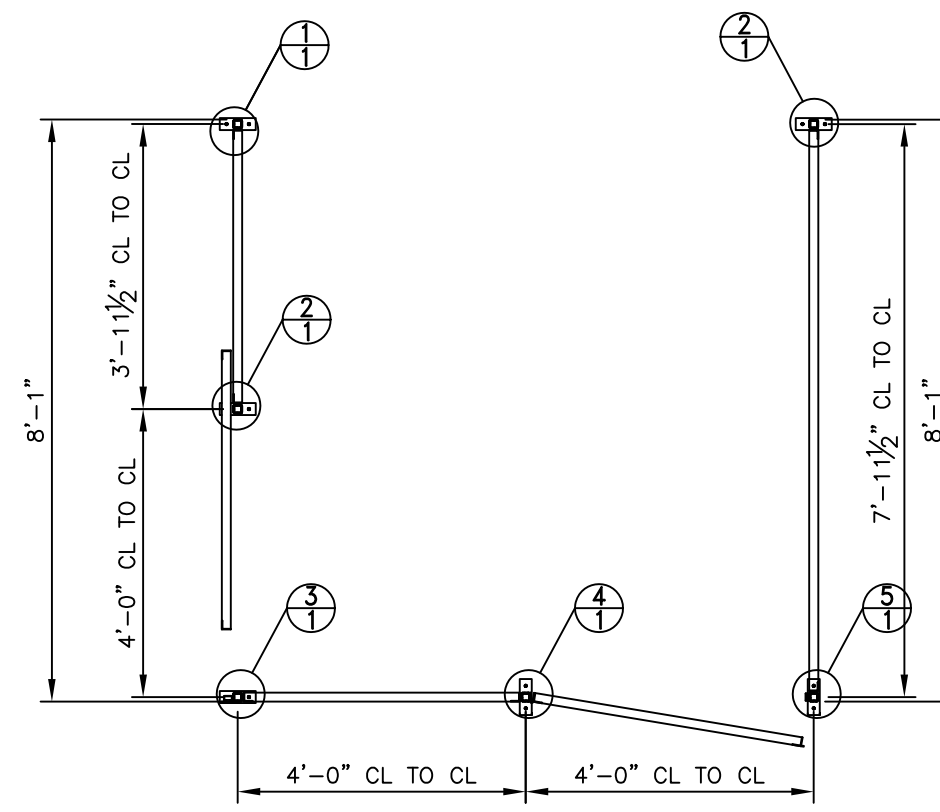
- MESH: $1 \frac{1}{2}$ " X #16F EXPANDED METAL
- FRAME: $1 \frac{1}{2}$ " X $1 \frac{1}{2}$ " 13 GA. C.R. ANGLE
- HORIZONTAL REINFORCING: $1 \frac{1}{2}$ " X $1 \frac{1}{2}$ " 13 GA. C.R. ANGLE
- POST: $1 \frac{1}{2}$ " X $1 \frac{1}{2}$ " 14 GA.
- PIN: $\frac{5}{8}$ "

Dealer:	Approved By:
Contact:	Sign:
Phone:	Date:
Fax:	www.PreferredSecurityGates.com (800) 878-7829 Sale

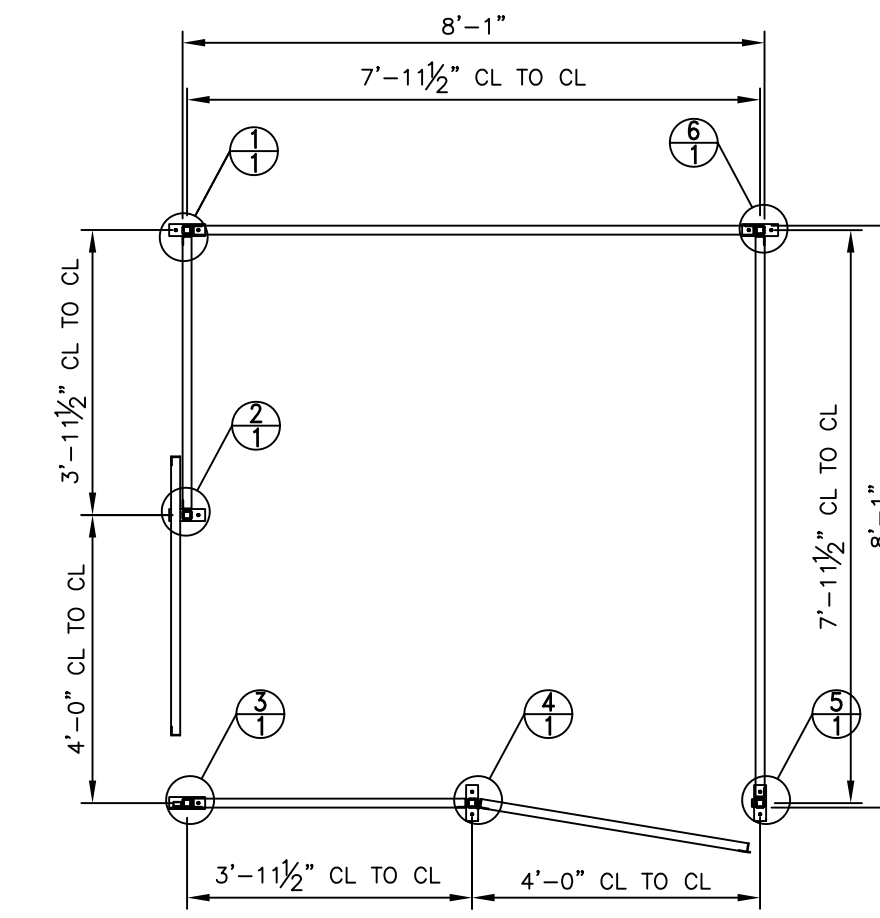
TYPICAL LAYOUTS
(CUSTOM LAYOUTS AVAILABLE)



LAYOUT 1
 $\frac{5}{8}'' = 1'-0''$

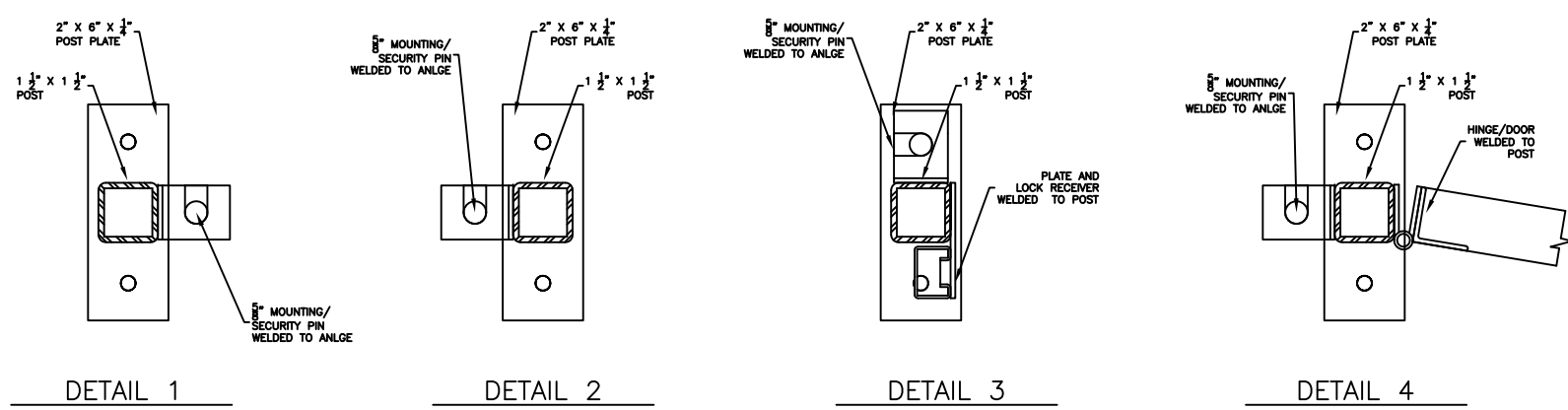


LAYOUT 2
 $\frac{5}{8}'' = 1'-0''$

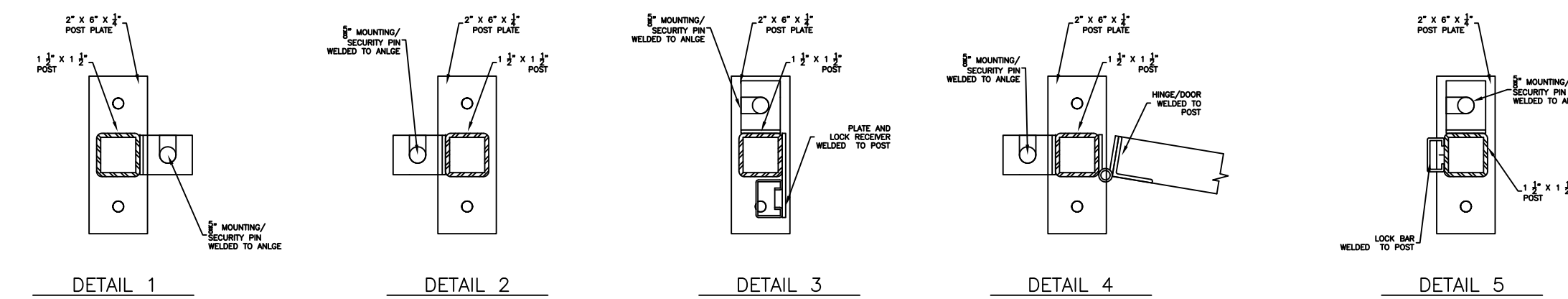


LAYOUT 3
 $\frac{5}{8}'' = 1'-0''$

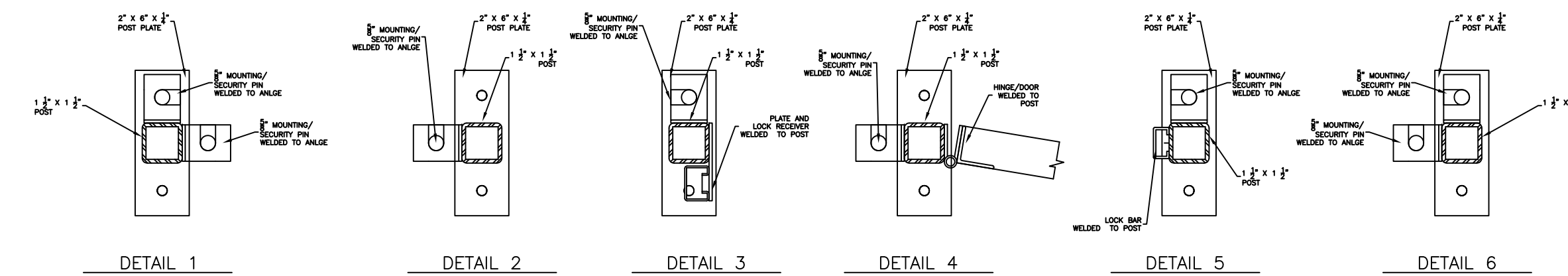
LAYOUT 1 DETAILS



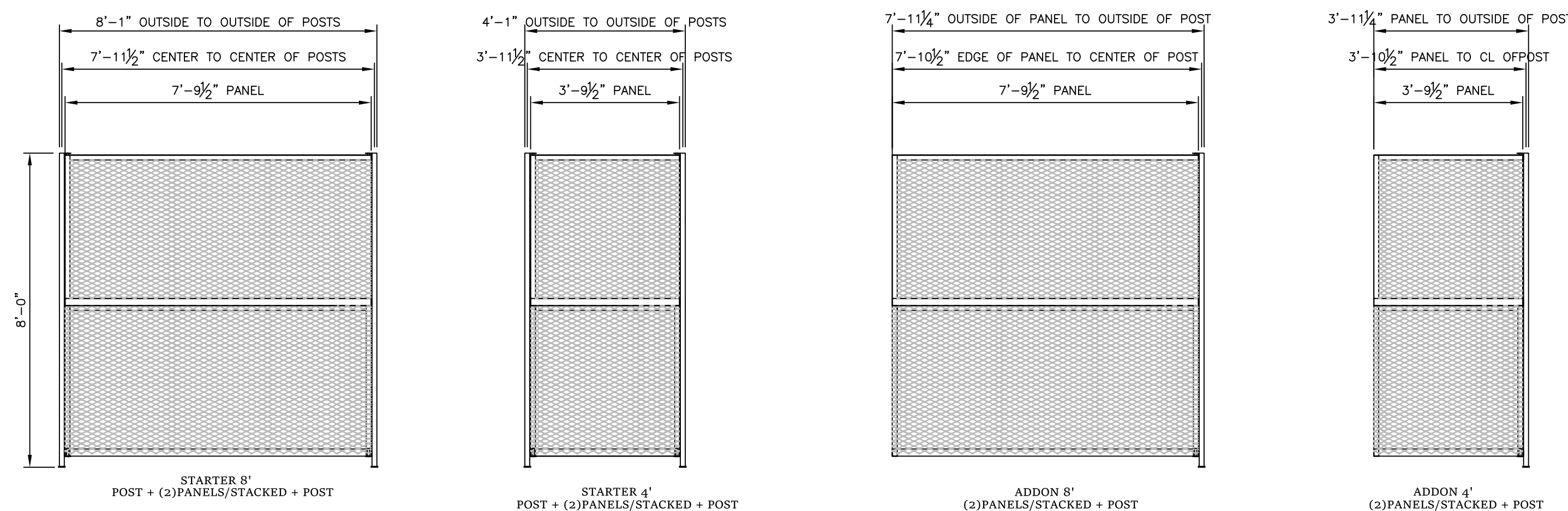
LAYOUT 2 DETAILS



LAYOUT 3 DETAILS



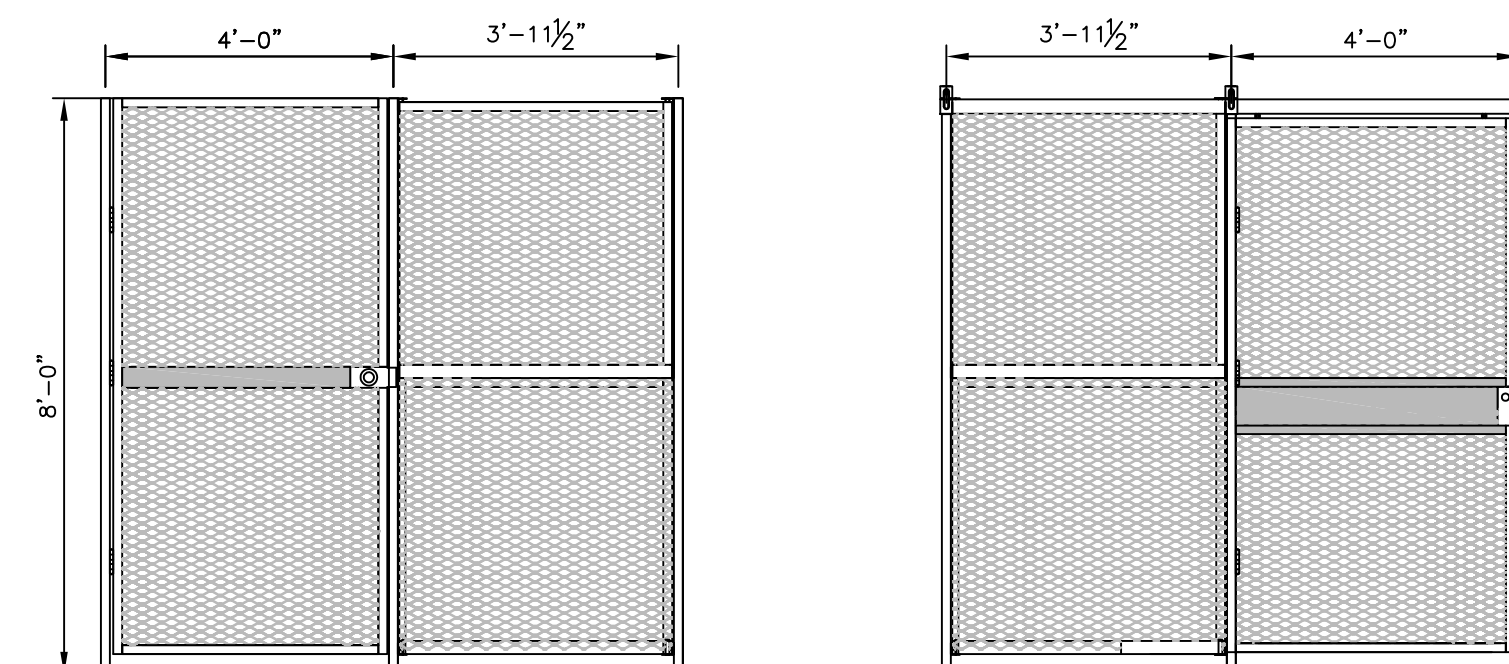
STARTER AND ADDONS
DESCRIPTION/ELEVATION



DESIGN NOTES

1. OUR SYSTEM UTILIZES A $\frac{5}{8}''$ PIN/PINTLE TO SECURE AND HOLD THE PANELS IN PLACE ALONG WITH 4 BOLTS WITH WING NUTS.
2. ONLY TWO SIZES OF STARTERS AND ADDONS AVAILABLE.
3. ONLY OUR MOST STANDARD DETAILS ARE SHOWN HERE, AS WE HAVE SEVERAL HUNDRED DIFFERENT DETAILS BASED ON THE GENERIC LAYOUTS, BUT THE DETAILS CAN BE CUSTOMIZED DEPENDING ON THE CUSTOMER LAYOUT NEEDS.
4. NO PROFESSIONAL INSTALLATION NEEDED.

TYPICAL DOOR ELEVATION
(WILL VARY DEPENDING ON LAYOUT)



SPECIFICATIONS

OVEREZ PARTITION:

- MESH: 1 $\frac{1}{2}''$ X #16F EXPANDED METAL
- FRAME: 1 $\frac{1}{2}''$ X 1 $\frac{1}{2}''$ 13 GA. C.R. ANGLE
- HORIZONTAL REINFORCING: 1 $\frac{1}{2}''$ X 1 $\frac{1}{2}''$ 13 GA. C.R. ANGLE
- POST: 1 $\frac{1}{2}''$ X 1 $\frac{1}{2}''$ 14 GA.
- PIN: $\frac{5}{8}''$

Dealer:	Approved By: Sign: Date:
Contact:	
Phone:	
Fax:	

PART 1 - GENERAL

1.1 SECTION INCLUDES

- A. OverEZ™ Mesh Partitions.

1.2 DESCRIPTION

- A. Furnish all mesh partitions as indicated complete with all hardware and accessories.

1.3 SUBMITTALS

- A. Shop Drawings:

- 1. Include plans, elevations, sections, and details of panel and door construction, and hardware.

- B. Samples for initial selection: For units with factory-applied color finishes.

- C. Samples for verification: **12-by-12-inch (300-by-300-mm)** panel constructed of specified frame members and wire mesh.

1.4 QUALITY ASSURANCE

- A. Installer Qualifications: Minimum 1 year experience installing similar products.

1.5 DELIVERY, STORAGE, AND HANDLING

- A. Deliver items palletted and wrapped to provide protection during transit and project-site storage. Use vented plastic.

- B. Store mesh partitions panels in a dry area out of weather and prohibit stacking other materials on top.

1.6 FIELD CONDITIONS

- A. Field Measurements: Field measure at location of the work prior to fabrication. Include measurements of adjacent construction to which the expanded metal partitions must fit.

OverEZ™ Mesh Partitions

PART 2 - PRODUCTS

2.1 MANUFACTURERS

A. Illinois Engineered Products

2.3 MESH PARTITION PANEL (STANDARD HEIGHTS 8'-0" (CONFORMED OF TWO PANELS STACKED, STANDARD WIDTHS 4'-0" & 8'-0"))

A. Mesh: All IEP mesh partition constructed of 1 ½" x #16 F expanded metal with 1-1/2-inch (38-mm) diamond, securely welded into angle frames.

B. Frames: MIG- welded and pre punched for installation.

C. Post: 1 ½" x 1 ½" 14 Ga. HSS tube.

1. Post on each side of panel or door.
2. Post have a 5/8" pin to secure panels, bottom pin is straight and top pins are bent to Flip-N-Lock™.

D. Angle Frame: 1-1/2-by-1-1/2 -by 13 Ga. (38-by-38-mm) cold-rolled angle, with holes for 1/4-inch-(6-mm-) bolt holes not more than 18 inches (472 mm) o.c.

E. All joints to be welded.

F. Swinging Doors: Fabricated from same expanded metal mesh, with framing fabricated from [1-1/2-by-1-1/2-by-13 Ga. (38-by-38-mm) full length angle.

1. Hinges: Butt type with fixed pins, 3-by-4-inch (76-by-102-mm) steel, three per door; bolted, riveted, or welded to door and jamb framing.
2. Cylinder Lock: Mortise type with [manufacturer's standard cylinder] operated by key outside and [recessed turn knob] [knob] [lever] inside.
3. Complete with two posts, center to center of post is 4' wide, opening 8'.

G. Sliding Doors: Fabricated from same expanded metal mesh, with framing fabricated from [1-1/2-by-1-1/2-by-13 Ga. (38-by-38-mm) full length angle.

1. Hardware: Two, four-wheel roller-bearing carriers, box track, and bottom guide channel for each door.

OverEZ™ Mesh Partitions

2. Cylinder Lock: Mortise type with [**manufacturer's standard cylinder**] operated by key outside and [**thumb turn knob**] [**blank cylinder**] [**keyed cylinder**] inside.
3. Complete with two posts, center to center of post is 4' wide, opening 7'9 7/16".

- H. Finish: Powder –coated finish.
A. Standard colors: Tower Gray

2.5 FABRICATION

- A. Mesh: Securely welded to frame angles.

PART 3 – EXECUTION

3.1 EXAMINATION

- A. Examine areas, with Installer present, for compliance with requirements for installation tolerances and other conditions affecting performance of the Work.

3.2 INTALLATION

- A. Install OverEZ™ Mesh Partitions in accordance with manufacturer's shop drawings.

3.3 CLEANING

- A. Touchup Painting: Immediately after erection, clean bolted connections, and abraded areas. Paint uncoated and abraded areas with the same material as used for shop painting.

END OF SECTION

OverEZ™ Mesh Partitions